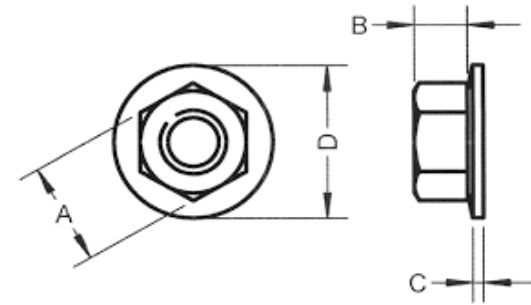


## Carp Nuts (Spin Nuts) With Rotating Washer



Carp Nuts (Spin) Nuts With Rotating Washer											
Diameter	M3	M4	M5	M6	M6	M8	M8	M8	M10	M10	M12
Width Across Flats - A	5.50	7.00	8.00	10.00	10.00	12.00	13.00	12.00	17.00	17.00	19.00
Nut Thickness B	2.40	3.20	4.00	5.00	5.00	6.50	6.50	6.50	8.00	8.00	10.00
Washer Thickness C	0.40	0.50	0.80	1.00	1.40	1.40	1.40	1.60	1.60	2.40	2.40
Washer Diameter D	8.00	10.00	12.00	14.00	18.00	18.00	18.00	22.00	22.00	24.00	25.50
Pitch	0.50	0.70	0.80	1.00	1.00	1.25	1.25	1.25	1.50	1.50	1.75

*Material : Steel Zinc Plated*

INFORMATION AND DRAWINGS PROVIDED ARE FOR REFERENCE ONLY